

## SHD-SE13 Series Sanitary and Hygienic Electromagnetic Flow meter

### Overview

Magnetic Flow meter sensor is widely used to measure different kind conductive liquids. SHD-SE13 series Magmeter sensor is a type sanitary type flow measuring device. It can measure tap water, tomato paste, liquid egg, molasses, juice, vinegar and so on which are widely used in food-processing, beer and pharmaceutical industries.



### Features

- Tri-clamp connection easily clean and sanitize.
- Mag flow sensor with all stainless steel material (304 or 316 stainless steel option)
- Size available from DN15 – DN100 (1/2 inch to 4 inch)
- Economical cost hygienic flow meter
- Simple structures, firm, no movable parts and long operation life
- No intercepting fluid parts, no pressure loss and fluid clogging
- Measuring accuracy not influenced by physical parameters such as style, temperature, viscosity, density and pressure.

### Technical Specifications

Model	SHD-SE13
Medium	Conductivity Fluids
Accuracy	±0.5%
Fluid Temperature	-25°C ~ 130 °C
Size	DN15 – DN100 (1/2 inch to 4 inch)
Pressure Rating	1.0Mpa
Flow Direction	Forward / Reversed
Electrodes Material	316L / Hastelloy C2,B4/Tantalum/Titanium/Platinoidita/others
Liner Material	PTFE,PFA,Rubber
Power	220VAC ±20% 60HZ / 24 VDC
Construction Type	Compact / Remote

### Model Selection

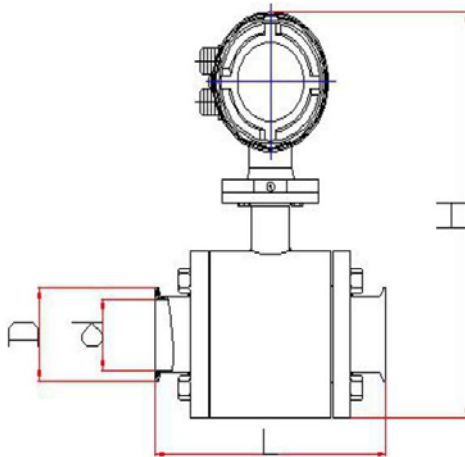
Item	Code	Description
Factory Mark	SHD	Silver Automation Instruments
	SE13	Sanitary type (0.5% accuracy, DN10~DN125, Tri-clamp )

Meter Size	-XXX	Example:100=DN100, DN15 – DN100 (1/2 inch to 4 inch)
Electrode Material	E0	316L SS
	E1	Hastelloy B
	E2	Hastelloy C
	E3	Titanium
	E4	Tantalum
	E5	Pt/Iridium Alloy
Liner Material	L1	Teflon (PTFE)
	L2	F46 (FEP)
	L3	PFA
	L4	Hard rubber
Rated Pressure	1.0	1.0Mpa
Working Temperature	E	<60 °C
	H	60~160 °C
Protection Grade	P0	IP65
	P1	IP 67
	P2	IP68 (only for remote version, sensor IP68,converter IP65)
Converter Type	0	Compact
	1	Remote (standard cable 5 meters)
Output Signal Communication	S0	4~20mA
	S1	RS-485
	S2	Hart
	S3	Profibus-DP*1
	S4	Pulse Output
Housing Material	H0	Carbon steel
	H1	304 SST
	H2	Others
	H3	316 SST
Material of Tri-clamp	F1	304 SS
	F2	Special Demand
	F3	316 SST
Power Supply	G0	220V AC (85~265V,45~63 Hz)
	G1	24V DC (18~36V)
	G2	Battery supply (without 4~20mA output)
Explosion Proof	0	Non(0 could be omitted)
	Ex	Exd eia II C T3~T6

**Flow Range**

Size(DN)	Size(inch)	Pressure	Min flow range velocity(0-0.5)m/s	Max Flow range velocity(0-10)m/s
15	1/2 inch	1.0 Mpa	(0-5)L/min	(0-100)L/min
20	3/4 inch	1.0 Mpa	(0-7.5)L/min	(0-150)L/min
25	1 inch	1.0 Mpa	(0-10L)/min	(0-200)L/min
32	1.2 inch	1.0 Mpa	(0-20L)/min	(0-400)L/min
40	1.5 inch	1.0 Mpa	(0-30L)/min	(0-600)L/min
50	2 inch	1.0 Mpa	(0-3)m <sup>3</sup> /h	(0-60)m <sup>3</sup> /h
65	2.5 inch	1.0 Mpa	(0-6)m <sup>3</sup> /h	(0-120)m <sup>3</sup> /h
80	3 inch	1.0 Mpa	(0-9)m <sup>3</sup> /h	(0-180)m <sup>3</sup> /h
100	4 inch	1.0 Mpa	(0-12)m <sup>3</sup> /h	(0-240)m <sup>3</sup> /h

**Dimensions**



Size (mm)	Size(inch)	d(mm)	D(mm)	L(mm)	H(mm)
DN15	1/2 inch	12.7	34	200	305
DN20	3/4 inch	17.2	34	200	305
DN25	1 inch	22.6	50.5	200	305
DN32	1.2 inch	33.7	50.5	200	305
DN40	1.5 inch	37.6	64	250	325
DN50	2 inch	48.6	64	250	350
DN65	2.5 inch	60.3	77.5	250	350
DN80	3 inch	72.9	91	250	400
DN100	4 inch	97.6	119	250	400